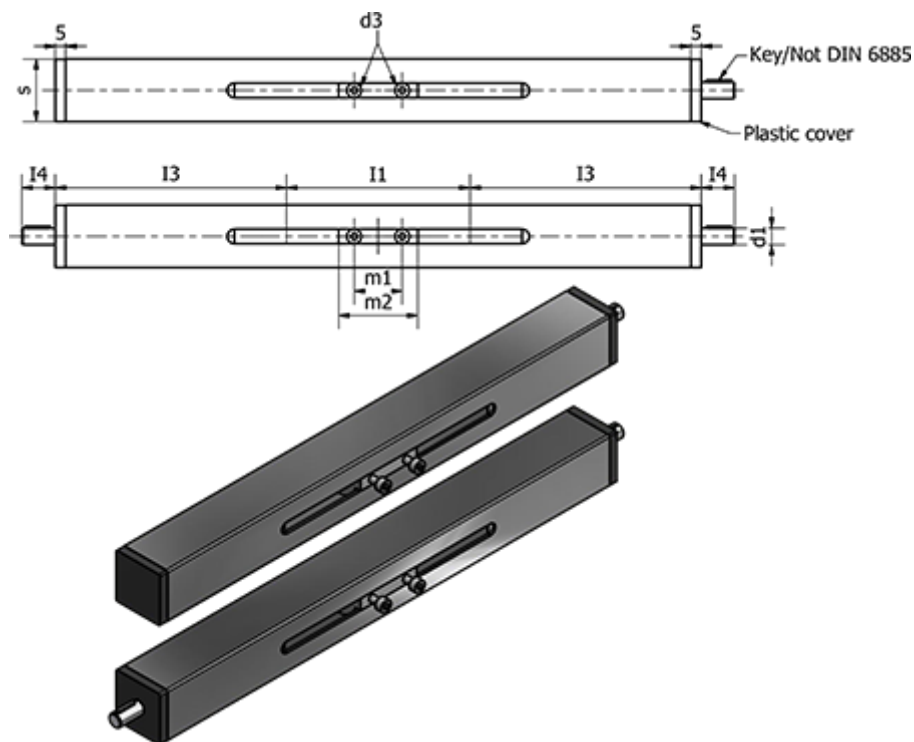


Article number: 20291130300L2SCR

Description: E+G Linear actuators - GN 291.1-30-300-L2-SCR

## Measures



$d1 f7 = 8$

$d2 = M4$

$I1 = 300$

$I2 = I2+210$

$I3 = 105$

$I4 = 16$

$m1 = 23$

$m2 = 38$

Max. travel = 1250

$s = 30$

Shaft key DIN 6885 = A2x2x12

Shaft thread = TR14x4